



SIGURD 3501

31.5" CURVED GAMING MONITOR / MONITOR GAMING CURVO 31.5"

WELCOME TO YEYIAN A NEW LEVEL OF WORLD GAMING

You're one of the millions of gamers. You can be the socially engaged, the sport fun, the explorer, the soldier, the builder or the strategist. All require sobrenatural reflexes, powerful machines, consistency and a strong tolerance for suffering hundreds of defeats at the hands of other players before the fun kicks in. But there is something unique required in a game, disruptive and exciting; a moment that allows you to control what happens next; the millisecond you feel intimidated, the move that will set you apart from the rest. Your decision in that moment, your confidence, your passion, and your determination to win, will take you to the monumental Victory.

Choose big, don't settle and always keep going.

Be part of the game.

Thank you for choosing us and welcome to our family.

Registering your products, you can enjoy exclusive news, contest, and giveaways.

USA: www.yeyian.us | MX: www.yeyian.mx | ES: www.yeyian.es

PRODUCT REGISTRATION



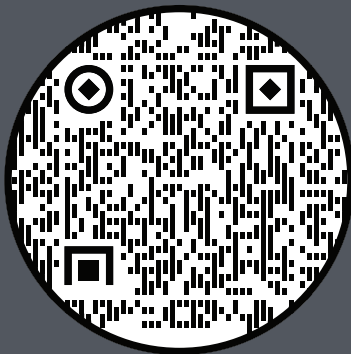
Information
and releases



Promotions
and updates



Giveaways
and gifts



EMC COMPLIANCE

This device has been tested and found to comply with the standards for a class B digital device, pursuant to Part 15 of FCC Rules. Those standards are designed to provide reasonable protection against harmful interference in a residential installation. This device generates and can radiate radio frequency energy and, if not installed and used in accordance with the instructions, may cause harmful interference to radio communications.

If this device does cause harmful interference to radio or television reception, which can be determined by turning the device off and on, user is encouraged to try to correct the interference by one or more of the following measures:

- Reorient or relocate the receiving antenna.
- Increase the separation between the device and receiver.
- Plug the device into a wall outlet different from that connected to the receiver.
- Consult the dealer or an experienced radio/TV technician for help.

CAUTION: Any change or modification not expressly illustrated in this manual may void the warranty.



NOTE: Any unshielded cable is not allowed to be used in the device.

HDMI®
HIGH-DEFINITION MULTIMEDIA INTERFACE

The terms HDMI®, HDMI® High-Definition Multimedia Interface, and the HDMI® Logo are trademarks or registered trademarks of HDMI® Licensing Administrator, Inc.



IMPORTANT PRECAUTIONS

1. Before using this device, please read all the instructions in this manual carefully.
2. Please keep the manual for future reference.
3. Unplug this device from the wall outlet before cleaning. Do not use liquid cleaners or aerosol cleaners. Use a damp or wet cloth to clean. Please use LCD screen detergent for cleaning if it is still dirty.
4. Do not use parts not recommended by the manufacturer, otherwise it may cause a hazard.
5. When unplugging the power cord of the monitor or adapter, please hold the plug with your hand, do not pull the cord directly.
6. Do not place any object on the power cord. Do not trample it either.
7. Do not use the device near water sources, example: bathtub, basin, kitchen sink, or washing machine. Do not place the device on a wet floor, or near a swimming pool etc. Do not touch the screen with your fingers or other hard objects.
8. Slots and openings on housing and its back or bottom are provided for ventilation. To ensure reliable operation of the components and to protect them from overheating, these openings must not be blocked or covered placing the device on a bed, sofa, rug, or other similar surface. The device should never be placed near or over a radiator or heater and should not be placed in a built in installation unless proper ventilation is provided.
9. Make sure that the device is at least 5 cm distance from the wall or other objects around when it is in use.
10. The power supply must respond to that stated on the rating plate. If you have any query about the power supply, please refer to the dealer or local power supply provider.

11. As a safeguard measure, the monitor or adapter is equipped with a power cord with three-terminal plug, the third terminal is grounded. If the plug cannot be inserted into the outlet, please contact an electrical technician for replacing the original outlet while keeping the safeguard measure in effect.
12. Ensure that the power socket and cord in use are able to take the sum of the electric current of all the products.
13. Do not put the device at the place where user is subject to mal-function.
14. Observe all the warnings and instructions described in the manual.
15. Do not overload the power outlet or use any extension cord, otherwise it may cause fire or electric shock.
16. Do not attempt to repair this device yourself since opening or removing covers may expose you to dangerous voltage or other hazards. Refer servicing to qualified service personnel.
17. Unplug this monitor or AC/CD adapter from the wall outlet and refer servicing to qualified service personnel under the following conditions:
 - A. When the power cord or plug is damaged or worn.
 - B. If the device has been dropped or its housing has been damaged.
 - C. When the performance of the device deteriorates distinctly.
18. The power cord is the main facility to turn on/off the device; unplug it if the device is not used for a long period of time.
19. Store the device at a place of good ventilation; avoid strong sunlight, high temperature or humidity.
20. Store the device at a place at -20°C - 55°C room temperature. Otherwise, it may cause permanent damage.



INTRODUCTION

GENERAL

Thank you for purchasing the latest GAMING MONITOR SIGURD SERIE 3501, with the advantages of high display performance and lightweight etc. Meanwhile with the power saving and none-radiation features, the latest GAMING MONITOR SIGURD SERIE 3501 will bring you comfortable, safe and environmental protection and a brand new visual experience.

Your purchase and use of this product is highly appreciated!

FEATURES

- Micro Computer digital technology control, no radiation, no glare, built in multimedia speaker system (optional).
- Built in AV signal connection terminal - HDMI® - Display Port-DVI
- Comply with DPMS International Power Saving Regulation.
- Support DDC 1/2B and Windows PNP Plug & Play.
- Microprocessor based with OSD (On Screen Display) control, be able to adjust the image to optimum performance.

PACKING LIST

Please make sure the following items are included with your GAMING MONITOR SIGURD SERIES 3501 before installation:

- 1 Gaming Monitor (with pedestal)
- 1 AC/DC Adapter
- 1 Power Cable
- 1 Display Port Cable
- 1 User Manual
- 1 Warranty Policy (Digital)

SIGURD 3501

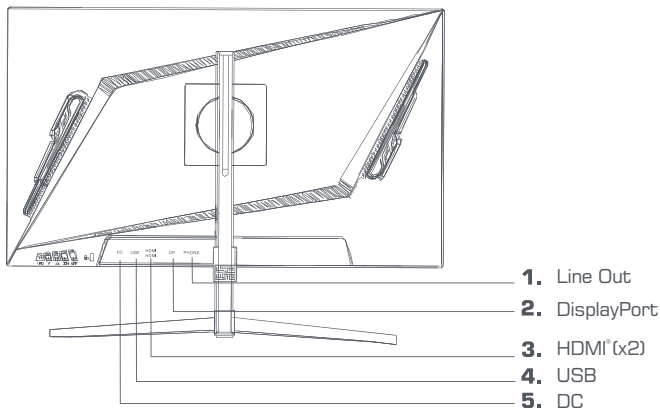
31.5" CURVED GAMING MONITOR / MONITOR GAMING CURVO 31.5"

If any of these items are missing, please contact with your dealer for technical support and customer service.



NOTE: Be sure to save original box and all packaging material for transport in future if the display need.

INSTALLATION



CONNECTION OF THE DISPLAY PORT CABLE

Insert one end of the display port cable into the monitor's input connector, and the other end to the video output of your computer (either dedicated or integrated video card).

CONNECTING THE HDMI® CABLE

Insert one end of the HDMI® cable into the monitor's input connector, and the other end to the video output of your computer (either dedicated or integrated video card).

CONNECTING THE DVI CABLE



Insert one end of the DVI cable into the monitor's input connector, and the other end to the video output of your computer (either dedicated or integrated video card).

AUDIO OUTPUT

You can connect headphones or speakers directly to the audio output of the monitor through an audio cable with 3.5mm connectors.

POWER CORD CONNECTION

First, insert one end of power cord cable into the power input jack of the monitor, and another end into the power outlet.

POWER ON

Turn on the monitor and computer, the indicator will light green (or blue) when the screen is under normal condition. Please check to see if there is any wrong with the connection of video signal cable if the indicator lights red.

SELF-INSPECTION

If the monitor inspects that there is no horizontal and vertical signal, it will prompt to check the video input, please refer to the illustration below, and the monitor will enter into power saving mode after several seconds, the indicator will light red. The screen will restore to normal display once receiving video signal.



IMAGE ADJUSTMENT

Please adjust the image according to your need; please refer to the "Operation" in Section Three.

OPERATION

FUNCTION KEYS

A. AUTO/SELECT KEY

When with only VGA mode: without OSD menu, this key is used to auto-adjust, to adjust the geometrical setting to the best condition. Under OSD menu, this key is used as confirmation. Under VGA+DVI mode, this key is used to switch the signal between VGA and DVI.

B. +/- or >/< KEY

In the OSD menu, these two keys are used to scan and select the menu on the left or right and the volume setting. If the monitor does not have any audio signal press -/<, this can be used as a shortcut key for brightness; if the monitor does not have any audio signal function press +/- or >/<, this is only used for adjusting the volume.

C. MENU KEY

Menu Key is use to enter into menu and exit from menu.

OSD

Main Menu Item	Submenu Item	Discription
Luminance	Brightness	Adjusts Monitor Brightness
	Contrast	Adjusts Monitor Contrast
	LED Mode	Selects the LED Mode
	Logo Light	Adjusts Laser Logo Light, ON or OFF.

Main Menu Item	Submenu Item	Discription
Color	Color Temperature	Adjusts Monitor Brightness Temperature Mode
	Red	Adjusts Monitor Red Gain Value Under Usermode.
	Green	Adjusts Monitor Green Gain Value Under Usermode.
	Blue	Adjusts Monitor Blue Gain Value Under Usermode.

Main Menu Item	Submenu Item	Discription
OSD Setting	Horizontal	Adjusts the OSD Horizontal Position
	Vertical	Adjusts the OSD Vertical Position
	Transparency	Adjusts the OSD Transparency
	OSD Time Out	Adjusts the OSD Display Time

Main Menu Item	Submenu Item	Description
Setup	Language	Selects the Language by OSD Menu.
	Mute	Adjusts Sound Mode, ON or OFF.
	Input	Select Input Source, HDMI®1,HDMI®2,DP
	Display Size	Adjusts the Image Aspect Ratio as Wide-Screen Mode or 4:3Mode
	Over Driver	Adjusts Over Driver Mode, ON or OFF.
	Reset	Restore to Factory Setting
	DP Speed	Select DP Speed as 2.7G or 5.4G
	HDR	Adjusts HDR ON/OFF
	Freesync	Adjusts Freesync ON/OFF

SAFEGUARD

When the video signal of your computer exceeds the frequency range of the monitor (refer to product specifications), the micro-computer of the monitor will turn off the horizontal and vertical sync signal for the purpose of the monitor's protection, please refer to the illustration below.



The monitor will enter saving mode after a few seconds, promptly the power indicator will light up red. Please set the output frequency of your computer within the acceptable range of the monitor so that it can work normally.



TROUBLESHOOTING

If your monitor cannot work normally, please refer to the following methods for common problems quickly, if you need assistance, please call the dealer where you purchased the Monitor.

A. There is no Screen Image / LED no light

Please check to see whether the power cord is securely connect to the monitor and wall outlet, and whether the display is in power saving mode.

B. There is no Screen Image / LED light red

Check whether the display card of PC is loosed, and check the connection between signal cables and display

C. The display is not clear or the image is too large or too small

Enter the OSD image adjustment menu, and then select "Auto Adjust" to make the display to adjust automatically to optimum.

D. The image is too light or too dark

Enter the OSD brightness adjustment menu, and then select "UP / DOWN" to adjust the brightness and contrast to optimum.

E. The screen is overheated

Please keep at least 5cm around the display for ventilation, and do not place anything on the monitor.

F. Dark display after the power ON / FACULA

This is normal. Due to the temperature difference, the backlight will not give out light equably at the beginning of the powering on, but the backlight lamp will come to normal work after 20 minutes, the darkness and facula will disappear at this time.

G. The image is distorted, blinks and flashes

Check the computer in its entirety, for loose wires; choose the appropriate resolution to your monitor.

H. The color is abnormal

Check the connection of signal cable, if there is any curved or broken pin, please replace it; Enter the OSD color adjustment menu to set the display color to the optimum.



BIENVENIDO A YEYIAN

UN NUEVO ESTÁNDAR EN GAMING DE NIVEL MUNDIAL

Eres uno de los millones de jugadores. Puedes ser él socialmente comprometido, él deportista divertido, él explorador, él soldado, el constructor o él estratega. Todos requieren reflejos sobrenaturales, máquinas poderosas, consistencia y una fuerte tolerancia a sufrir cientos de derrotas a manos de otros jugadores antes de que comience la diversión. Pero hay algo único que se requiere en un juego, disruptivo y emocionante; un momento que te permite controlar lo que sucede a continuación; el milisegundo en el que te sientes intimidado, en el cual harás el movimiento que te diferenciará del resto. Tu decisión en ese momento, tu confianza, tu pasión, y tu determinación de vencer, te llevará a la monumental Victoria.

Elige grande, no te conformes y siempre sigue adelante.

Únete al juego.

Gracias por elegirnos y bienvenido a nuestra familia.

Al registrar tus productos, podrás disfrutar de noticias exclusivas, concursos y obsequios.

USA: www.yeyian.us | MX: www.yeyian.mx | ES: www.yeyian.es

REGISTRO DE PRODUCTO



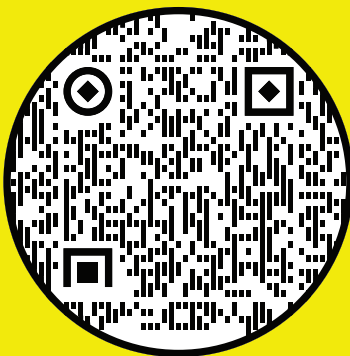
Información
y lanzamientos



Promociones
y actualizaciones



Giveaways
y regalos



CUMPLIMIENTO DE LA EMC

Este dispositivo ha sido probado y cumple con los estándares para un dispositivo digital de clase B, de conformidad con la Parte 15 de las Normas de la FCC. Esos estándares están diseñados para proporcionar una protección razonable contra interferencias perjudiciales en una instalación residencial. Este dispositivo genera y puede emitir energía de radiofrecuencia y, si no se instala y utiliza de acuerdo con las instrucciones, puede causar interferencias perjudiciales en las comunicaciones de radio.

Si este dispositivo causa interferencias perjudiciales en la recepción de radio o televisión, lo cual puede determinarse encendiendo y apagando el dispositivo, se recomienda al usuario que intente corregir la interferencia tomando una o más de las siguientes medidas:

- Reorientar o reubicar la antena receptora.
- Aumentar la separación entre el dispositivo y el receptor.
- Conecte el dispositivo a un tomacorriente de pared diferente al conectado al receptor.
- Consulte con el distribuidor o con un técnico de radio / TV experimentado para obtener ayuda.

PRECAUCIÓN: Cualquier cambio o modificación no ilustrada expresamente en este manual puede anular la garantía.



NOTA: El uso de un cable sin protección no está permitido para ser utilizado en el dispositivo.

HDMI®
HIGH-DEFINITION MULTIMEDIA INTERFACE

Los términos HDMI®, HDMI® High-Definition Multimedia Interface y el logotipo de HDMI® son marcas comerciales o marcas comerciales registradas de HDMI® Licensing Administrator, Inc.



PRECAUCIONES IMPORTANTES

1. Antes de utilizar este dispositivo, lea atentamente todas las instrucciones de este manual.
2. Guarde el manual cuidadosamente para futuras referencias.
3. Desenchufe este dispositivo de la toma de corriente de la pared antes de limpiarlo. No usar limpiadores líquidos o en aerosol. Use un paño húmedo o mojado para limpiar. Por favor use un detergente para pantallas LCD para limpiar el monitor si todavía esta sucia.
4. No utilice piezas no recomendadas por el fabricante, de lo contrario podría causar un accidente.
5. Cuando desenchufe el cable de alimentación del monitor o adaptador, sostenga el enchufe con la mano, no jale el cable directamente.
6. No coloque ningún objeto sobre el cable de alimentación. No lo pisotee tampoco.
7. No use el dispositivo cerca del agua, por ejemplo: bañera, lavabo, fregadero de la cocina o lavadora. No coloque el dispositivo en un piso mojado, cerca de una piscina, etc. No toque la pantalla con los dedos u otros objetos puntiagudos.
8. Las ranuras y aberturas en la carcasa en su parte posterior o inferior están provistas para ventilación. Para garantizar un funcionamiento confiable de los componentes y protegerlos contra el sobrecalentamiento, estas aberturas no deben bloquearse ni cubrirse colocando el dispositivo en una cama, sofá, alfombra u otra superficie similar. El dispositivo nunca debe colocarse cerca o sobre un radiador o calentador y no debe colocarse en una instalación empotrada a menos que se proporcione la ventilación adecuada.
9. Asegúrese de que el dispositivo esté al menos a 5 cm de distancia de la pared u otros objetos que se encuentren alrededor cuando esté en uso.
10. La fuente de alimentación debe responder a lo indicado en la placa de características. Si tiene alguna consulta sobre la fuente de alimentación, consulte con el distribuidor o proveedor local de fuentes de alimentación.

SIGURD 3501

31.5" CURVED GAMING MONITOR / MONITOR GAMING CURVO 31.5"

11. Como medida de seguridad, el monitor o adaptador está equipado con un cable de alimentación con enchufe de tres terminales, el tercer terminal está conectado a tierra. Si no se puede instalar el enchufe en la toma de corriente, comuníquese con un técnico eléctrico para reemplazar la toma de corriente original mientras mantiene la medida de protección vigente.
12. Asegúrese de que la toma de corriente y el cable en uso puedan tomar la suma de la corriente eléctrica de todos los productos.
13. No coloque el dispositivo en un lugar donde el usuario esté sujeto a una operación incorrecta.
14. Observe todas las advertencias e instrucciones descritas en el manual.
15. No sobrecargue la toma de corriente ni utilice un cable de extensión, de lo contrario podría provocar un incendio o una descarga eléctrica.
16. No intente reparar este dispositivo usted mismo, ya que abrir o quitar las cubiertas puede exponerlo a un voltaje peligroso u otros peligros. Consulte al personal de servicio calificado.
17. Desenchufe este monitor o adaptador de CA/CC de la toma de corriente de la pared y remita al personal de servicio calificado bajo las siguientes condiciones:
 - A- Cuando el cable de alimentación o el enchufe están dañados o desgastados.
 - B- Si el dispositivo se ha caído o si se ha dañado su carcasa..
 - C- Cuando el rendimiento del dispositivo se deteriora claramente.
18. El cable de alimentación es el objeto principal para encender / apagar el dispositivo; desenchúfelo si el dispositivo no se utiliza durante un largo período de tiempo.
19. Guarde el dispositivo en un lugar con buena ventilación; Evite la luz solar fuerte, la temperatura alta o la humedad.
20. Guarde el dispositivo en un lugar a una temperatura ambiente de -20°C a 55°C . De lo contrario, puede causar daños permanentes.



INTRODUCCIÓN

GENERAL

Gracias por comprar el MONITOR GAMING SIGURD SERIE 3501. Con ventajas de alto rendimiento de pantalla, peso ligero, ahorro de energía y libre de radiación. El MONITOR GAMING SIGURD SERIE 3501 le brindará comodidad, es seguro y proteje el medio ambiente, es una experiencia visual completamente nueva.

¡Su compra y uso de este producto es altamente apreciado!
Your purchase and use of this product is highly appreciated!

CARACTERISTICAS

- Control computacional de micro tecnología digital, libre de radiación, sin deslumbramiento, sistema de altavoces multimedia integrado (opcional).
- Construido con terminal de conexión de señal AV - HDMI® - Display Port- DVI
- Cumple con la normativa internacional de ahorro de energía DPMS.
- Compatible con DDC 1/2B y Windows PNP Plug & Play.
- Basado en microprocesador con control MEP (Menu en Pantalla), podrá optimizar el ajuste de la imagen.

LISTA DE CONTENIDOS

Asegúrese de que los siguientes elementos estén incluidos con su Monitor Gaming SIGURD SERIES 3501 antes de la instalación:

- 1 Monitor Gaming (con pedestal)
- 1 Adaptador de CA/CC
- 1 Cable de corriente
- 1 Cable Display Port
- 1 Manual de Usuario
- 1 Poliza de Garantía (Digital)

Si falta alguno de estos elementos, comuníquese con su distribuidor para obtener asistencia técnica y servicio al cliente.

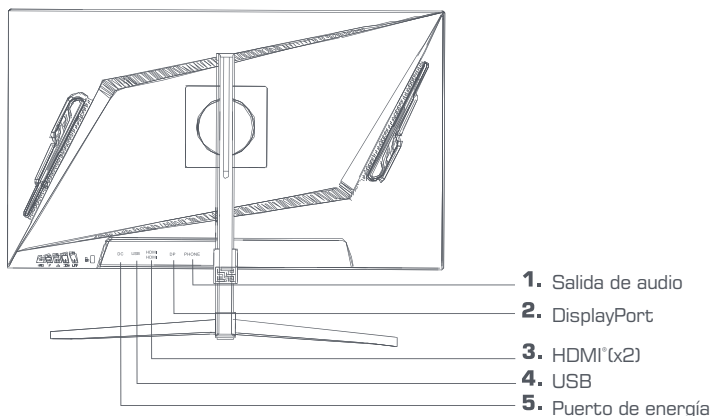


NOTA: Asegúrese de guardar la caja original y todo el material de embalaje para el transporte del monitor, de ser necesario.

SIGURD 3501

31.5" CURVED GAMING MONITOR / MONITOR GAMING CURVO 31.5"

INSTALACIÓN



CONEXIÓN DEL CABLE DISPLAY PORT

Inserte un extremo del cable display port en el conector de entrada del monitor, y el otro extremo a la salida de vídeo de su computadora (ya sea tarjeta de vídeo dedicada o integrada, según sea el caso).

CONEXIÓN DEL CABLE HDMI®

Inserte un extremo del cable HDMI® en el conector de entrada del monitor, y el otro extremo a la salida de vídeo de su computadora (ya sea tarjeta de vídeo dedicada o integrada, según sea el caso).

CONEXIÓN DEL CABLE DVI

Inserte un extremo del cable DVI en el conector de entrada del monitor, y el otro extremo a la salida de vídeo de su computadora (ya sea tarjeta de vídeo dedicada o integrada, según sea el caso).

SALIDA DE AUDIO

Puede conectar auriculares o bocinas directamente a la salida del audio del monitor a través de un cable de audio con conectores de 3.5mm.

CONEXIÓN DEL CABLE DE ALIMENTACIÓN

Primero, inserte un extremo del cable de alimentación en el conector de entrada de alimentación del monitor, y otro extremo en la toma de corriente.

ENCENDIDO

Encienda el monitor y la computadora, el indicador se iluminará en verde (o azul) cuando la pantalla se encuentre en condiciones normales. Compruebe si hay algún problema con la conexión del cable de señal de video si el indicador se ilumina en rojo.

AUTO-INSPECCIÓN

Si el monitor inspecciona que no hay señal horizontal y vertical, se le pedirá que verifique la entrada de video, Consulte la ilustración inferior y el monitor entrará en el modo de ahorro de energía después de varios segundos. El indicador se encenderá en rojo. La pantalla volverá a la visualización normal una vez que reciba la señal de video.



AJUSTE DE IMAGEN

Por favor, ajuste la imagen de acuerdo a su necesidad; Consulte la "Operación" en la Sección Tres.

OPERACIÓN

TECLAS DE FUNCIÓN

A. AUTO/SELECCIONAR TECLA

Cuando esta en modo VGA: sin el MEP (Menu en Pantalla), esta tecla se utiliza para el ajuste automático, de la configuración geométrica del monitor. En el menú MEP (Menu en Pantalla) esta tecla se utiliza como confirmación.

En el modo VGA + DVI, esta tecla se usa para cambiar la señal entre VGA y DVI.

B. +/- or >/< TECLA

En el menú MEP (Menu en Pantalla), estas dos teclas se utilizan para escanear y seleccionar el menú de la izquierda o la derecha y ajuste de volumen. Si el monitor no tiene ninguna señal de audio, presione - / <, esto se puede usar como tecla de acceso directo para el brillo; Si el monitor no función de señal de audio, presione +/- o > / <, esto solo se usa para ajustar el volumen.

C. TECLA DEL MENÚ

La Tecla de Menú se usa para ingresar al menú y salir del menú.

MEP (MENÚ EN PANTALLA)

Elemento del menú principal	Elemento del submenú	Descripción
Luminancia	Brillo	Ajusta el brillo del monitor
	Contraste	Ajusta el contraste del monitor
	Modo LED	Selecciona el modo LED
	Luz del logotipo	Ajusta la luz, ENCENDIDO o APAGADO.

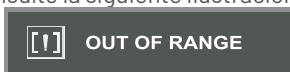
Elemento del menú principal	Elemento del submenú	Descripción
Color	Temperatura del color	Ajusta el modo de temperatura de brillo del monitor
	Rojo	Ajusta el valor de ganancia de rojo del monitor en el modo de usuario.
	Verde	Ajusta el valor de ganancia de verde del monitor en el modo de usuario.
	Azul	Ajusta el valor de ganancia de azul del monitor en el modo de usuario.

Elemento del menú principal	Elemento del submenú	Descripción
Ajuste MEP	Horizontal	Ajusta la posición horizontal de MEP
	Vertical	Ajusta la posición vertical de MEP
	Transparencia	Ajusta la transparencia de MEP
	Tiempo de espera de OSD	Ajusta el tiempo de visualización de MEP

Elemento del menú principal	Elemento del submenú	Descripción
Configuración	Idioma	Selecciona el idioma mediante el menú OSD.
	Silencio	Ajusta el modo de sonido, ENCENDIDO o APAGADO.
	Aporte	Seleccionar fuente de entrada, HDMI [®] 1, HDMI [®] 2, DP
	tamaño de la pantalla	Ajusta la relación de aspecto de la imagen como modo de pantalla ancha o modo 4: 3
	Sobre el conductor	Ajusta el modo Over Driver, ON u OFF.
	Reiniciar	Restaurar a la configuración de fábrica
	Velocidad DP	Seleccione DP Speed como 2.7G o 5.4G
	HDR	Ajusta HDR ON / OFF
	Freesync	Ajusta Freesync ON / OFF

SALVAGUARDA

Cuando la señal de video de su computadora excede el rango de frecuencia del monitor (consulte las especificaciones del producto), el microordenador del monitor apagará la señal de sincronización horizontal y vertical para los fines de la protección del monitor, consulte la siguiente ilustración.



El monitor entrará en modo de ahorro después de unos segundos, y el indicador de encendido se iluminará en rojo. Configure la frecuencia de salida de su computadora dentro del rango aceptable del monitor para que pueda funcionar normalmente.

PROBLEMAS

Si su monitor no funciona normalmente, consulte rápidamente los siguientes métodos para problemas comunes. Si necesita ayuda, llame al distribuidor donde adquirió el monitor.

A. No hay Imagen de Pantalla / LED sin luz

Compruebe si el cable de alimentación está bien conectado al monitor y la toma de pared, y si la pantalla está en modo de ahorro de energía.

B. No hay Imagen de Pantalla / LED luz roja

Compruebe si la tarjeta de visualización del PC está suelta y verifique la conexión entre los cables de señal y la pantalla

C. La pantalla no es clara o la imagen es demasiado grande o demasiado pequeña
Ingrese al menú de ajuste de imagen MEP (Menu en Pantalla) y luego seleccione "Ajuste automático" para que la pantalla se ajuste automáticamente al óptimo.

D. La imagen es demasiado clara o demasiado oscura.

Ingrese al menú de ajuste de brillo del MEP (Menu en Pantalla), y luego seleccione "ARRIBA / ABAJO" para ajustar el Brillo y contraste al óptimo.

E. La pantalla está sobrecalentada.

Mantenga por lo menos 5 cm alrededor de la pantalla para ventilación, y no coloque nada sobre el monitor.

F. Pantalla oscura después del ENCENDIDO / FÁCULA.

Esto es normal. Debido a la diferencia de temperatura, la luz de fondo no emitirá luz de manera equitativa al comienzo del encendido, pero la lámpara de luz de fondo volverá a funcionar normalmente después de 20 minutos, la oscuridad y la fábula desaparecerán en este momento.

G. La imagen esta distorsionada, parpadea y flashea

Verifique la computadora en su totalidad, por si hubiera cables sueltos; elija la resolución adecuada a su monitor.

H. El color es anormal

Verifique la conexión del cable de señal, si hay algún pin curvo o roto, reemplácelo; Ingrese al menú de ajuste de color MEP (Menu en Pantalla) para configurar el color de la pantalla al óptimo.



Distributed by / Distribuido por:
Vadeto Group

USA

10065 Via de la Amistad A2, San
Diego, CA 92154

Tel. +1.619.271.0384

www.yeyian.us

MÉXICO

Calz. José Guadalupe Gallo #8490-A
Col. Agua Blanca Industrial, Zapopan, Jalisco,
México

C.P. 45235 Tel. +52.33.1078.3404

www.yeyian.mx

ESPAÑA

CL Manuel Tovar N° 16 ,
28034 Madrid, España

Tel. +34.911.764.633

www.yeyian.es