




USER'S MANUAL MOUSE PAD KRIEG 2035

FRONT PRINT MEASUREMENTS

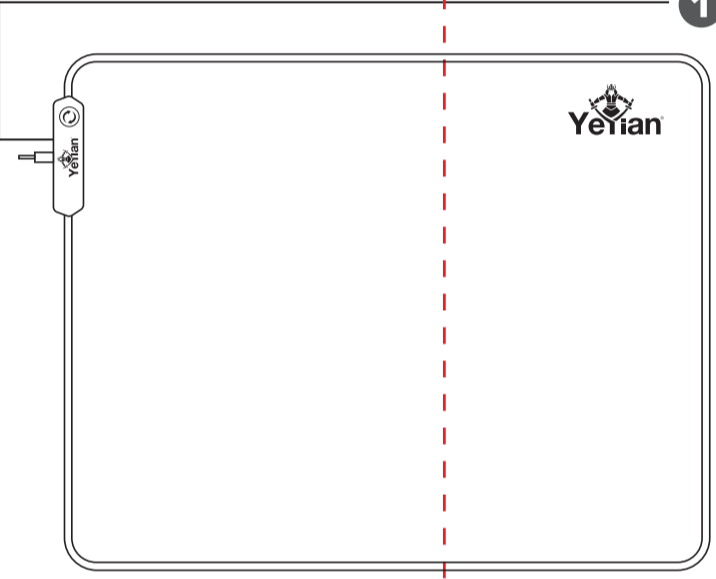
8.46 in * 10.98 in / 215 mm * 279 mm

GAMING MOUSE PAD MOD.MP2035
KRIEG 2035



USER'S MANUAL
MANUAL DE USUARIO

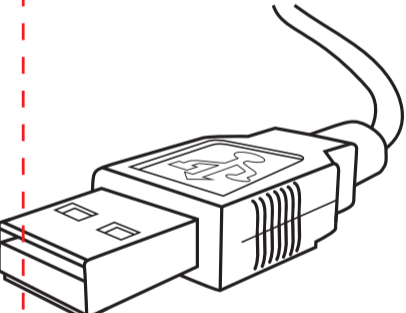
1 RGB LED touch panel with 10 different combinations.
RGB LED panel touch con 10 diferentes combinaciones.



13.97 in / 355 mm

17.48 in / 444 mm

2 USB connection cable lined in textile of 5.90ft.
Cable de conexión USB forrado en textil de 1.8m.



0.11 in / 3 mm

3 High Resolution Synthetic Material on the Cover.
Material Sintético de alta resolución en la Cubierta.

4 Resistant rubber anti-skid base.
Base resistente antideslizante de goma.

